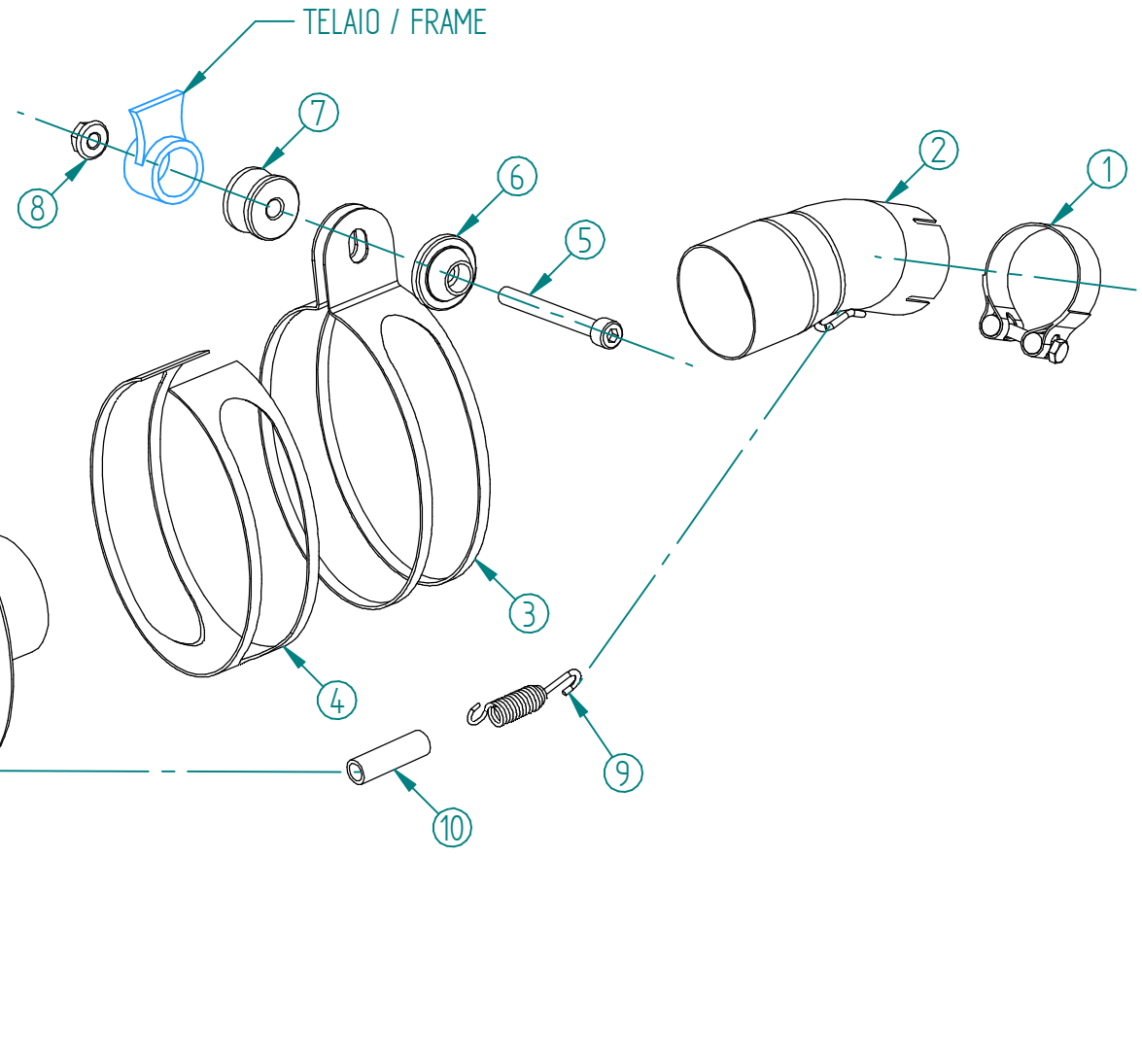


#	DESCRIPTION	PART NUMBER	QTY
1	Fascetta Ø 48/51 mm / Pipe clamp Ø 48/51 mm	50.FA.007.1	1
2	Tubo di raccordo / Link pipe	9773A017SE	1
3	Staffa / Bracket	50.SS.002.0	1
4	Protezione in gomma per staffa / Rubber protection	50.73.041.1	1
5	Vite M8x70 / Screw M8x70	50.73.086.1	1
6	Rondella in alluminio / Aluminium washer	50.73.063.1	1
7	Distanziale in alluminio / Aluminium spacer (Øe.30)	50.SS.056.1	1
8	Dado M8 flangiato / Flanged nut M8	50.73.393.1	1
9	Molla corta / Short Spring	50.73.123.1	1
10	Tubo in gomma per molla / Rubber pipe for spring	50.73.049.0	1
11	Silenziatore / Muffler - db killer 50.DK.020.0	OVAL 400 - Ø155	1



APPLICAZIONI / APPLICATIONS		
CODICE / CODE	SILENZIATORE / MUFFLER	TUBO / PIPE
74.A.017.LX2	INOX / ST. STEEL	INOX / ST. STEEL
74.A.017.LX2B	STEEL BLACK	