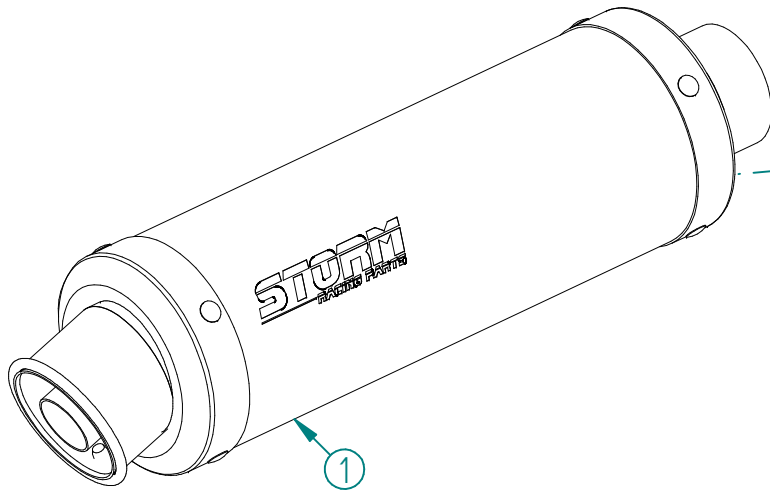
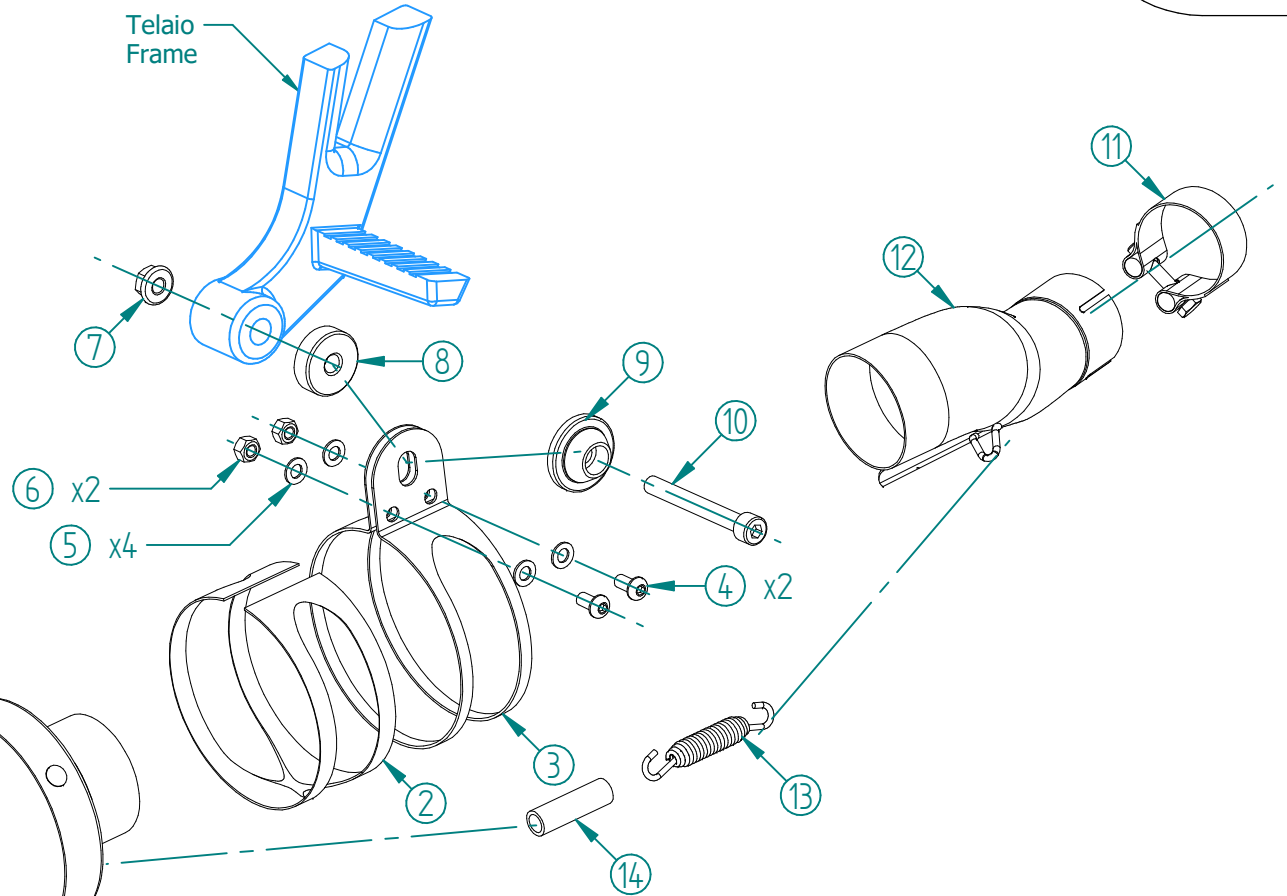


#	DESCRIPTION	PART NUMBER	QTY
1	Silenziatore / Muffler - db killer 50.DK.092.0	GP	1
2	Protezione in gomma per staffa / Rubber protection for bracket	50.73.077.1	1
3	Staffa / Bracket	50.SS.241.1	1
4	Vite M6 x 12 / Screw M6 x 12	50.72.024.1	2
5	Rondella M6 / Washer M6	50.72.027.1	4
6	Dado M6 / Nut M6	50.73.146.1	2
7	Dado M8 flangiato / Flanged nut M8	50.73.393.1	1
8	Distanziale in alluminio / Aluminium spacer (Øe.30 Øi.8,5 h.10)	50.SS.645.1	1
9	Rondella in alluminio / Aluminium washer	50.73.063.1	1
10	Vite M8x65 / Screw M8x65	50.73.603.1	1
11	Fascetta Ø 44/47 mm / Pipe clamp Ø 44/47 mm	50.FA.006.1	1
12	Tubo di raccordo / Link pipe	9773H06252	1
13	Molla media / Mid-size spring	50.73.359.1	1
14	Tubo in gomma per molla / Rubber pipe for spring	50.73.049.0	1



APPLICAZIONI / APPLICATIONS			
CODICE / CODE	SILENZIATORE / MUFFLER	TUBO / PIPE	FASCETTA / CLAMP
74.H.083.LXS	INOX / ST. STEEL	INOX / ST. STEEL	INOX / ST. STEEL
74.H.083.LXSB	STEEL BLACK		