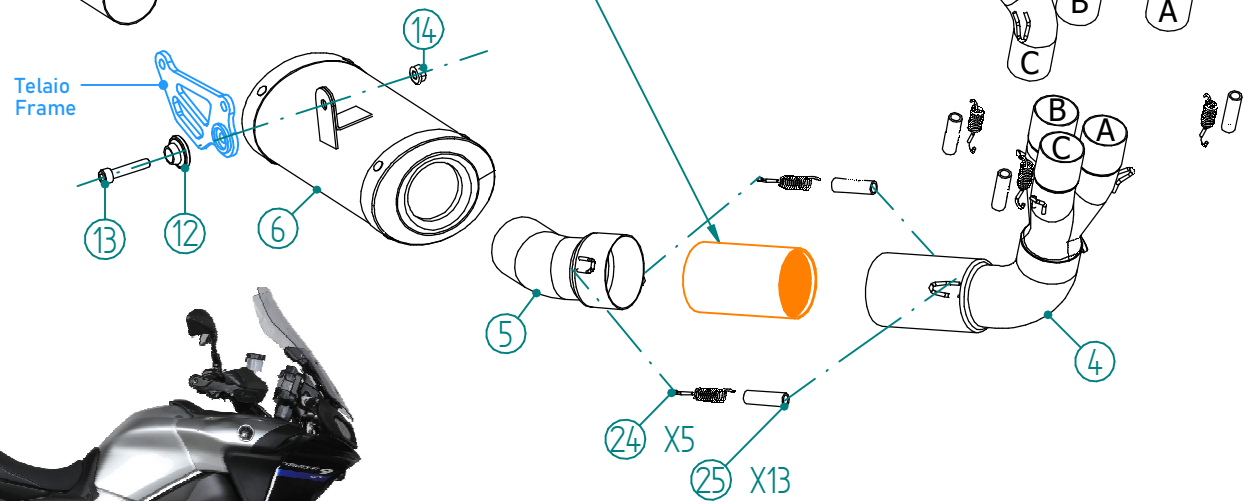


Catalytic Converter Cod. ACC.077.A1
Optional for 00.74.Y.069.LX1 - 00.74.Y.069.LX1B
Included in 00.74.Y.069.KX1 - 00.74.Y.069.KX1B

#	DESCRIPTION	PART NUMBER	QTY
1	Collettore #1 / Down pipe #1	9773Y066S2A	1
2	Collettore #2 / Down pipe #2	9773Y066S2B	1
3	Collettore #3 / Down pipe #3	9773Y066S2C	1
4	Tubo di raccordo 3-1 / Link pipe 3-1	9773Y066S2D	1
5	Tubo di raccordo / Link pipe	9773Y066S2EA	1
6	Pre-silenziatore / Pre-silencer	9773Y066S2EB	1
7	Tubo di raccordo / Link pipe	9773Y069S2E	1
8	Silenziatore / Muffler - dB killer 50.DK.067.0	OVAL 300	1
9	Boccola interna in acciaio / Internal steel bush	50.73.337.1	3
10	Boccola esterna in acciaio / External steel bush	50.73.338.1	3
11	Flangia in alluminio / Aluminium flange	50.73.339.1	3
12	Rondella in alluminio nera / Black aluminium washer	50.73.221.1	1
13	Vite M8x40 / Screw M8x40	50.73.075.1	1
14	Dado M8 flangiato / Flanged nut M8	50.73.393.1	2
15	Vite M8x20 / Screw M8x20	50.73.894.1	1
16	Rondella in alluminio / Aluminium washer	50.73.063.1	1
17	Distanziale in alluminio / Aluminium spacer (Øe.30 Øi.8,5 h.5)	50.73.124.1	1
18	Staffa / Bracket	50.55.1290.0	1
19	Rondella M8 / Washer M8	50.73.270.1	3
20	Vite M8 x 18 / Screw M8 x 18	50.73.417.1	3
21	Staffa / Bracket	50.55.030.0	1
22	Protezione in gomma per staffa / Rubber protection for bracket	50.73.077.1	1
23	Molla media / Middle spring	50.73.359.1	8
24	Molla corta / Short Spring	50.73.123.1	5
25	Tubo in gomma per molla / Rubber pipe for spring	50.73.049.0	13



APPLICAZIONI / APPLICATIONS			
CODICE / CODE	SILENZIATORE / MUFFLER	NOTE	TUBO / PIPE
74.Y.069.LX1	INOX / ST. STEEL	CATALYTIC CONVERTER	INOX / ST. STEEL
74.Y.069.LX1B	STEEL BLACK	NOT INCLUDED	
74.Y.069.KX1	INOX / ST. STEEL	CATALYTIC CONVERTER	INOX / ST. STEEL
74.Y.069.KX1B	STEEL BLACK	INCLUDED	