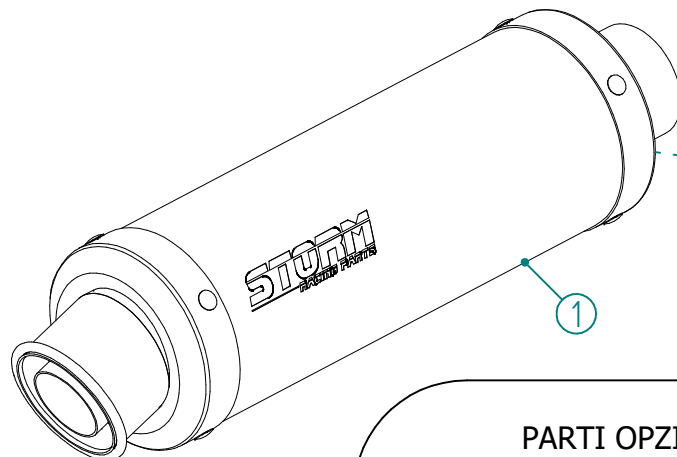
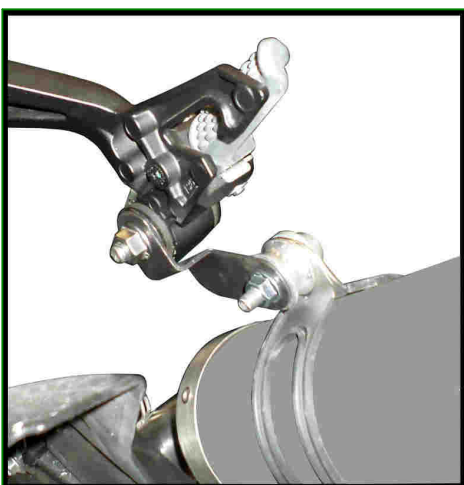
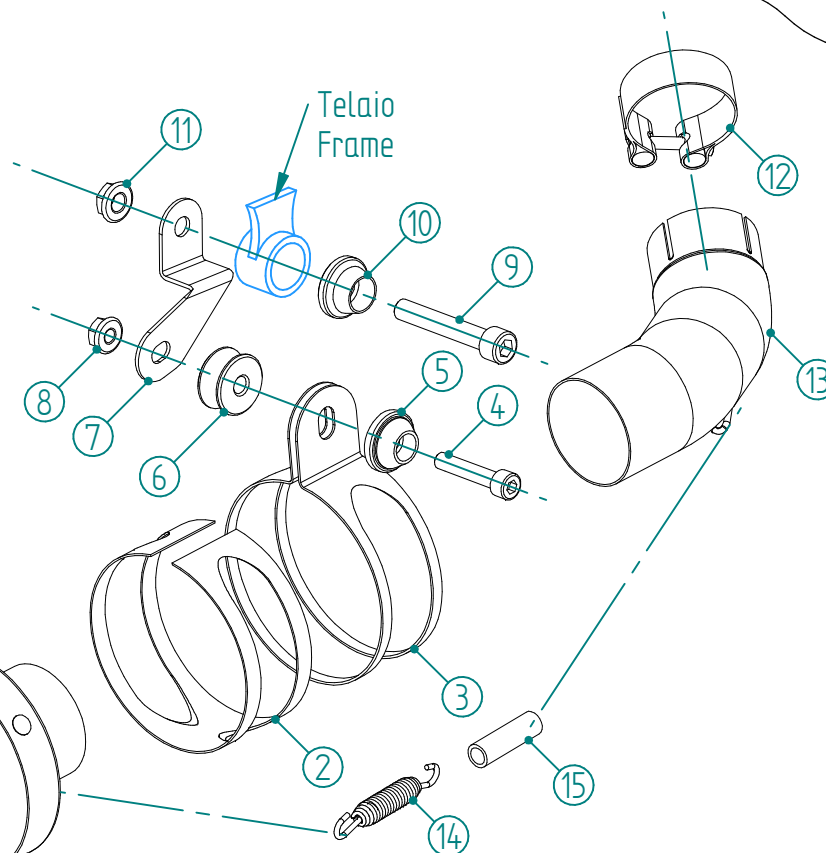


#	DESCRIPTION	PART NUMBER	QTY
1	Silenziatore / Muffler - db killer 50.DK.067.0	GP	1
2	Protezione in gomma per staffa / Rubber protection	50.73.040.1	1
3	Staffa / Bracket	50.SS.001.0	1
4	Vite M8x40 / Screw M8x40	50.73.075.1	1
5	Rondella in alluminio / Aluminium washer	50.73.291.1	1
6	Distanziale in alluminio / Aluminium spacer	50.SS.454.1	1
7	Staffa / Bracket	50.SS.991.0	1
8	Dado M8 flangiato / Flanged nut M8	50.73.393.1	1
9	Vite M10x60 / Screw M10x60	50.73.135.1	1
10	Rondella in alluminio nera / Black aluminium washer	50.73.330.1	1
11	Dado M10 flangiato / Flanged nut M10	50.73.332.1	1
12	Fascetta Ø 52/55 mm / Pipe clamp Ø 52/55 mm	50.FA.008.1	1
13	Tubo di raccordo / Link pipe	9773K045S2	1
14	Molla media / Mid-size spring	50.73.359.1	1
15	Tubo in gomma per molla / Rubber pipe for spring	50.73.049.0	1



**PARTI OPZIONALI  
OPTIONAL PARTS**



**COVER IN ACCIAIO / STEEL COVER  
50.CR.038.0**



**APPLICAZIONI / APPLICATIONS**

CODICE / CODE	SILENZIATORE / MUFFLER	TUBO / PIPE	FASCETTA / CLAMP
74.K.045.LXS	INOX / ST. STEEL	INOX / ST. STEEL	INOX / ST. STEEL
74.K.045.LXSB	STEEL BLACK		