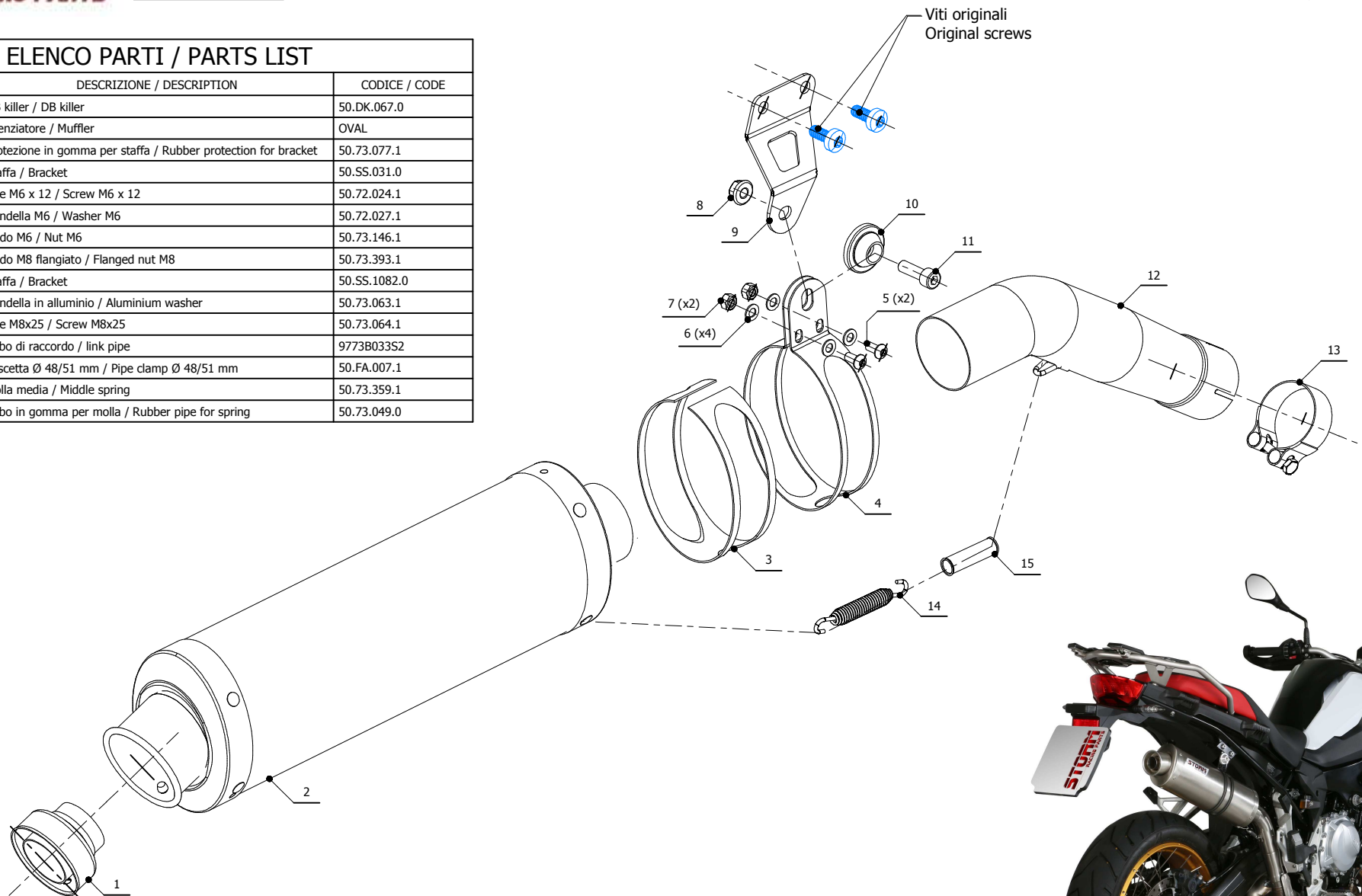


ELENCO PARTI / PARTS LIST

| #  | QTÀ / QTY | DESCRIZIONE / DESCRIPTION                                      | CODICE / CODE |
|----|-----------|--|---------------|
| 1  | 1         | DB killer / DB killer  | 50.DK.067.0   |
| 2  | 1         | Silenziatore / Muffler   | OVAL          |
| 3  | 1         | Protezione in gomma per staffa / Rubber protection for bracket | 50.73.077.1   |
| 4  | 1         | Staffa / Bracket   | 50.SS.031.0   |
| 5  | 2         | Vite M6 x 12 / Screw M6 x 12                                   | 50.72.024.1   |
| 6  | 4         | Rondella M6 / Washer M6  | 50.72.027.1   |
| 7  | 2         | Dado M6 / Nut M6   | 50.73.146.1   |
| 8  | 1         | Dado M8 flangiato / Flanged nut M8                             | 50.73.393.1   |
| 9  | 1         | Staffa / Bracket   | 50.SS.1082.0  |
| 10 | 1         | Rondella in alluminio / Aluminium washer                       | 50.73.063.1   |
| 11 | 1         | Vite M8x25 / Screw M8x25                                       | 50.73.064.1   |
| 12 | 1         | Tubo di raccordo / link pipe                                   | 9773B033S2    |
| 13 | 1         | Fascetta Ø 48/51 mm / Pipe clamp Ø 48/51 mm                    | 50.FA.007.1   |
| 14 | 1         | Molla media / Middle spring                                    | 50.73.359.1   |
| 15 | 1         | Tubo in gomma per molla / Rubber pipe for spring               | 50.73.049.0   |



APPLICAZIONI / APPLICATIONS

| CODICE / CODE | SILENZIATORE / MUFFLER | TUBO / PIPE      | FASCETTA / CLAMP |
|---------------|------------------------|------------------|------------------|
| 74.B.033.LX1  | INOX / ST. STEEL       | INOX / ST. STEEL | INOX / ST. STEEL |
| 74.B.033.LX1B | BLACK                  |                  |                  |

