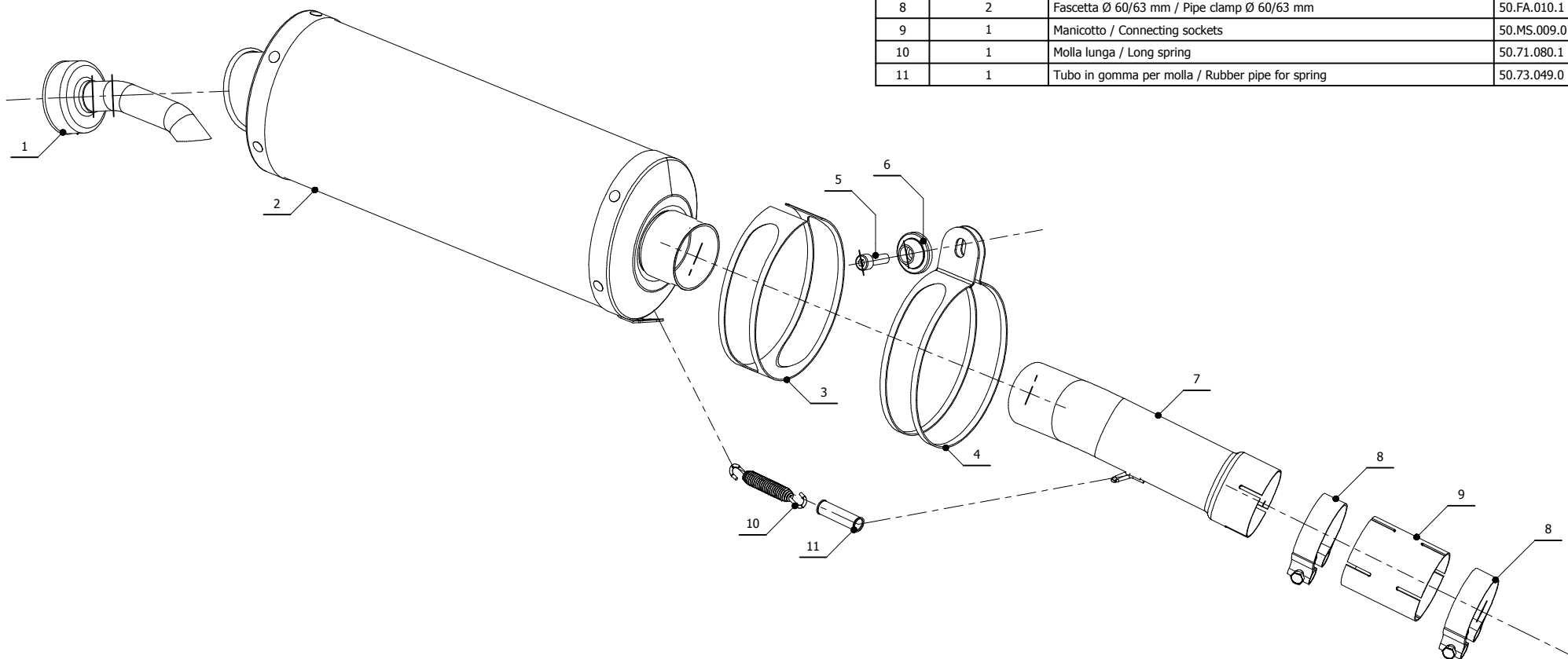


**ELENCO PARTI / PARTS LIST**

#	QTÀ / QTY	DESCRIZIONE / DESCRIPTION	CODICE / CODE
1	1	DB killer / DB killer	50.DK.021.0
2	1	Silenziatore / Muffler	OVAL 400
3	1	Protezione in gomma per staffa / Rubber protection for bracket	50.73.041.1
4	1	Staffa / Bracket	50.SS.002.0
5	1	Vite M8x25 / Screw M8x25	50.73.064.1
6	1	Rondella in alluminio / Aluminium washer	50.73.063.1
7	1	Tubo di raccordo / Link pipe	9773K004S2
8	2	Fascetta Ø 60/63 mm / Pipe clamp Ø 60/63 mm	50.FA.010.1
9	1	Manicotto / Connecting sockets	50.MS.009.0
10	1	Molla lunga / Long spring	50.71.080.1
11	1	Tubo in gomma per molla / Rubber pipe for spring	50.73.049.0



**APPLICAZIONI / APPLICATIONS**

CODICE / CODE	SILENZIATORE / MUFFLER	TUBO / PIPE	FASCETTA / CLAMP
74.K.004.LX2	INOX / ST. STEEL	INOX / ST. STEEL	INOX / ST. STEEL
74.K.004.LX2B	BLACK ST. STEEL		