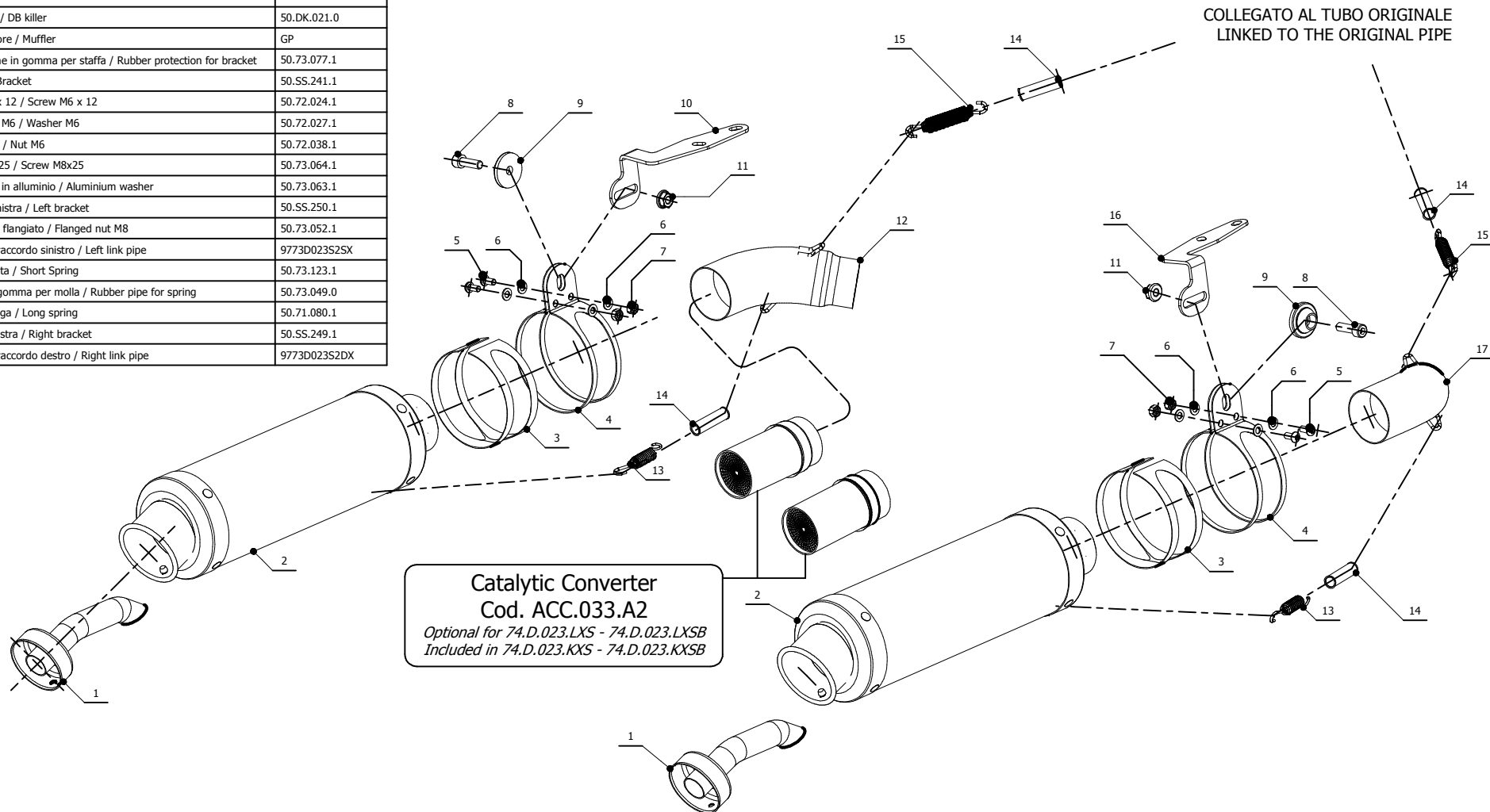


ELENCO PARTI / PARTS LIST

#	QTÀ / QTY	DESCRIZIONE / DESCRIPTION	CODICE / CODE
1	2	DB killer / DB killer	50.DK.021.0
2	2	Silenziatore / Muffler	GP
3	2	Protezione in gomma per staffa / Rubber protection for bracket	50.73.077.1
4	2	Staffa / Bracket	50.SS.241.1
5	4	Vite M6 x 12 / Screw M6 x 12	50.72.024.1
6	8	Rondella M6 / Washer M6	50.72.027.1
7	4	Dado M6 / Nut M6	50.72.038.1
8	2	Vite M8x25 / Screw M8x25	50.73.064.1
9	2	Rondella in alluminio / Aluminium washer	50.73.063.1
10	1	Staffa sinistra / Left bracket	50.SS.250.1
11	2	Dado M8 flangiato / Flanged nut M8	50.73.052.1
12	1	Tubo di raccordo sinistro / Left link pipe	9773D023S2SX
13	2	Molla corta / Short Spring	50.73.123.1
14	4	Tubo in gomma per molla / Rubber pipe for spring	50.73.049.0
15	2	Molla lunga / Long spring	50.71.080.1
16	1	Staffa destra / Right bracket	50.SS.249.1
17	1	Tubo di raccordo destro / Right link pipe	9773D023S2DX



APPLICAZIONI / APPLICATIONS

CODICE / CODE	SILENZIATORE / MUFFLER	TUBO / PIPE	FASCETTA / CLAMP	NOTE
74.D.023.LXS	INOX / ST. STEEL	INOX / ST. STEEL	INOX / ST. STEEL	CATALYTIC CONVERTER
74.D.023.LXSB	BLACK ST. STEEL	INOX / ST. STEEL	INOX / ST. STEEL	NOT INCLUDED
74.D.023.KXS	INOX / ST. STEEL	INOX / ST. STEEL	INOX / ST. STEEL	CATALYTIC CONVERTER
74.D.023.KXSB	BLACK ST. STEEL	INOX / ST. STEEL	INOX / ST. STEEL	INCLUDED