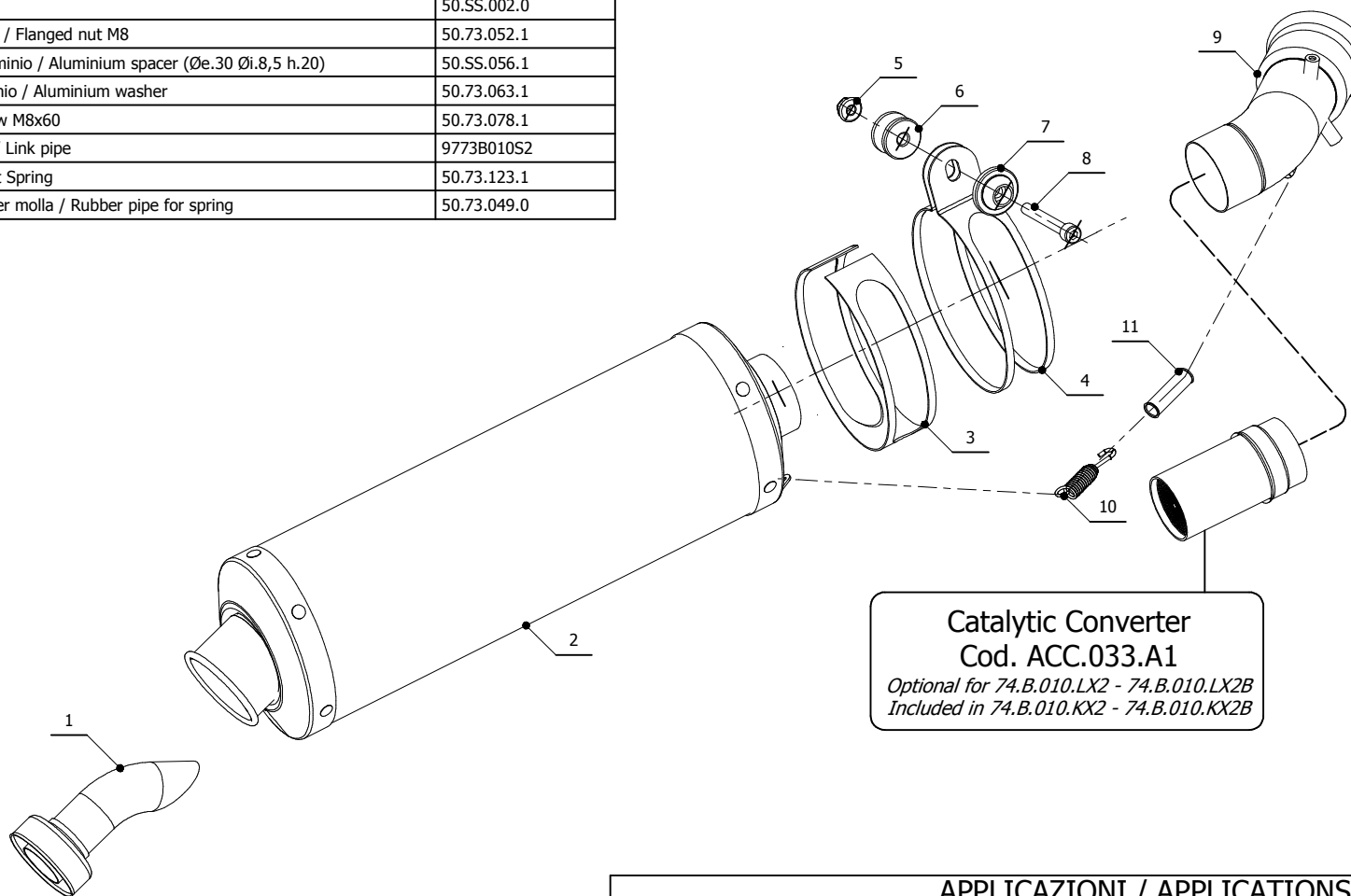


ELENCO PARTI / PARTS LIST

#	QTÀ / QTY	DESCRIZIONE / DESCRIPTION	CODICE / CODE
1	1	DB killer / DB killer	50.DK.020.0
2	1	Silenziatore / Muffler	OVAL
3	1	Protezione in gomma per staffa / Rubber protection for bracket	50.73.041.1
4	1	Staffa / Bracket	50.SS.002.0
5	1	Dado M8 flangiato / Flanged nut M8	50.73.052.1
6	1	Distanziale in alluminio / Aluminium spacer (Øe.30 Øi.8,5 h.20)	50.SS.056.1
7	1	Rondella in alluminio / Aluminium washer	50.73.063.1
8	1	Vite M8x60 / Screw M8x60	50.73.078.1
9	1	Tubo di raccordo / Link pipe	9773B010S2
10	1	Molla corta / Short Spring	50.73.123.1
11	1	Tubo in gomma per molla / Rubber pipe for spring	50.73.049.0



Catalytic Converter
Cod. ACC.033.A1
Optional for 74.B.010.LX2 - 74.B.010.LX2B
Included in 74.B.010.KX2 - 74.B.010.KX2B

APPLICAZIONI / APPLICATIONS

CODICE / CODE	SILENZIATORE / MUFFLER	TUBO / PIPE	FASCETTA / CLAMP	NOTE
74.B.010.LX2	INOX / ST.STEEL	INOX / ST.STEEL	INOX / ST.STEEL	CATALYTIC CONVERTER NOT INCLUDED
74.B.010.LX2B	BLACK ST. STEEL			
74.B.010.KX2	INOX / ST.STEEL	INOX / ST.STEEL	INOX / ST.STEEL	CATALYTIC CONVERTER INCLUDED
74.B.010.KX2B	BLACK ST. STEEL			