



**MODEL** SUZUKI DL V-STROM 650

**YEAR** 2007 - 2011

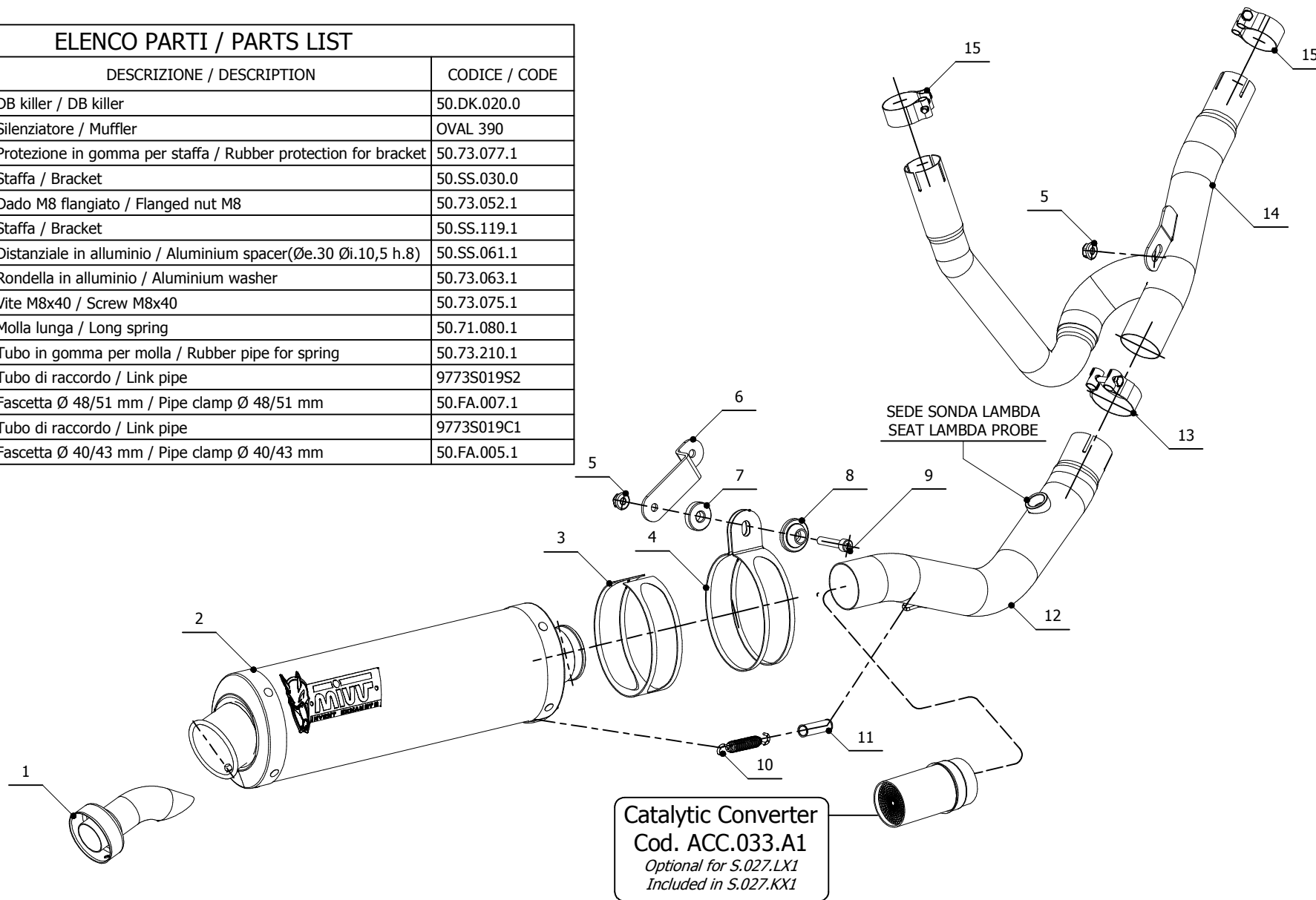
**LINE** FULL SYSTEM

**MUFFLER** OVAL

**SCHEMATIC**

**ELENCO PARTI / PARTS LIST**

#	QTÀ / QTY	DESCRIZIONE / DESCRIPTION	CODICE / CODE
1	1	DB killer / DB killer	50.DK.020.0
2	1	Silenziatore / Muffler	OVAL 390
3	1	Protezione in gomma per staffa / Rubber protection for bracket	50.73.077.1
4	1	Staffa / Bracket	50.SS.030.0
5	2	Dado M8 flangiato / Flanged nut M8	50.73.052.1
6	1	Staffa / Bracket	50.SS.119.1
7	1	Distanziale in alluminio / Aluminium spacer(Øe.30 Øi.10,5 h.8)	50.SS.061.1
8	1	Rondella in alluminio / Aluminium washer	50.73.063.1
9	1	Vite M8x40 / Screw M8x40	50.73.075.1
10	1	Molla lunga / Long spring	50.71.080.1
11	1	Tubo in gomma per molla / Rubber pipe for spring	50.73.210.1
12	1	Tubo di raccordo / Link pipe	9773S019S2
13	1	Fascetta Ø 48/51 mm / Pipe clamp Ø 48/51 mm	50.FA.007.1
14	1	Tubo di raccordo / Link pipe	9773S019C1
15	2	Fascetta Ø 40/43 mm / Pipe clamp Ø 40/43 mm	50.FA.005.1



**APPLICAZIONI / APPLICATIONS**

CODICE / CODE	TUBO / PIPE	SILENZIATORE / MUFFLER	FASCETTA / CLAMP	NOTE
S.027.LX1	INOX / ST. STEEL	INOX / ST. STEEL	INOX / ST. STEEL	CATALYTIC CONVERTER NOT INCLUDED
S.027.KX1	INOX / ST. STEEL	INOX / ST. STEEL	INOX / ST. STEEL	CATALYTIC CONVERTER INCLUDED