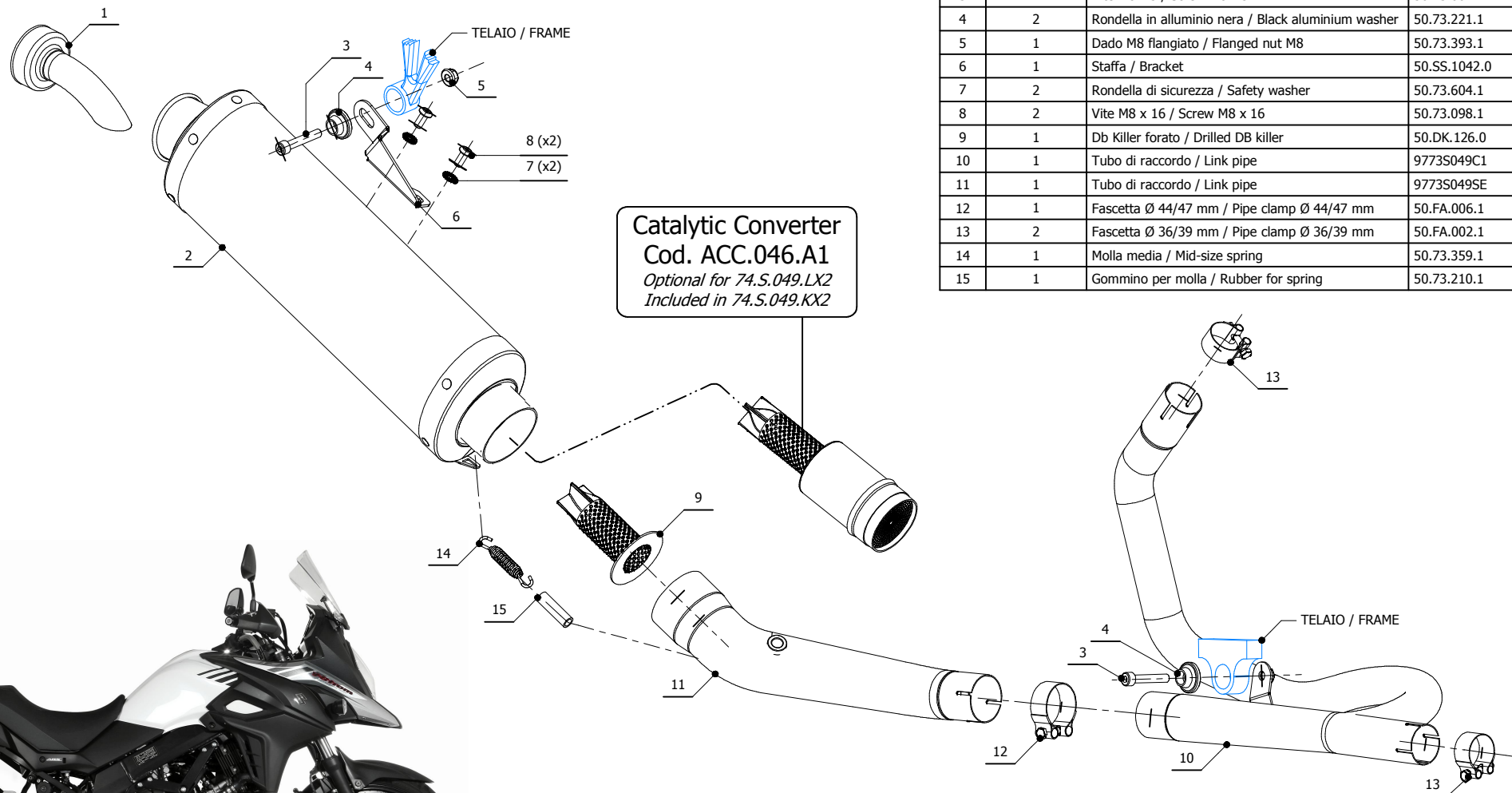


ELENCO PARTI / PARTS LIST			
#	QTÀ / QTY	DESCRIZIONE / DESCRIPTION	CODICE / CODE
1	1	DB killer / DB killer	50.DK.092.0
2	1	Silenziatore / Muffler	OVAL
3	2	Vite M8x45 / Screw M8x45	50.73.602.1
4	2	Rondella in alluminio nera / Black aluminium washer	50.73.221.1
5	1	Dado M8 flangiato / Flanged nut M8	50.73.393.1
6	1	Staffa / Bracket	50.SS.1042.0
7	2	Rondella di sicurezza / Safety washer	50.73.604.1
8	2	Vite M8 x 16 / Screw M8 x 16	50.73.098.1
9	1	Db Killer forato / Drilled DB killer	50.DK.126.0
10	1	Tubo di raccordo / Link pipe	9773S049C1
11	1	Tubo di raccordo / Link pipe	9773S049SE
12	1	Fascetta Ø 44/47 mm / Pipe clamp Ø 44/47 mm	50.FA.006.1
13	2	Fascetta Ø 36/39 mm / Pipe clamp Ø 36/39 mm	50.FA.002.1
14	1	Molla media / Mid-size spring	50.73.359.1
15	1	Gommino per molla / Rubber for spring	50.73.210.1



APPLICAZIONI / APPLICATIONS			
CODICE / CODE	SILENZIATORE / MUFFLER	TUBO / PIPE	NOTE
74.S.049.LX2	INOX / ST.STEEL	INOX / ST.STEEL	CATALYTIC CONVERTER NOT INCLUDED
74.S.049.LX2B	STEEL BLACK	INOX / ST.STEEL	CATALYTIC CONVERTER NOT INCLUDED
74.S.049.KX2	INOX / ST.STEEL	INOX / ST.STEEL	CATALYTIC CONVERTER INCLUDED
74.S.049.KX2B	STEEL BLACK	INOX / ST.STEEL	CATALYTIC CONVERTER INCLUDED