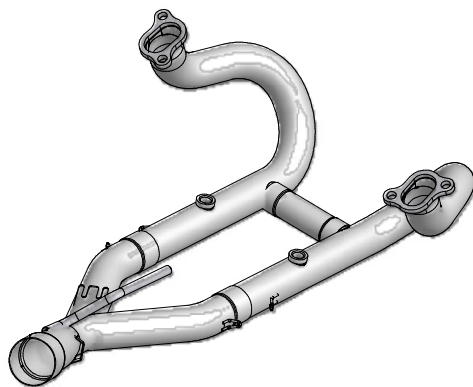
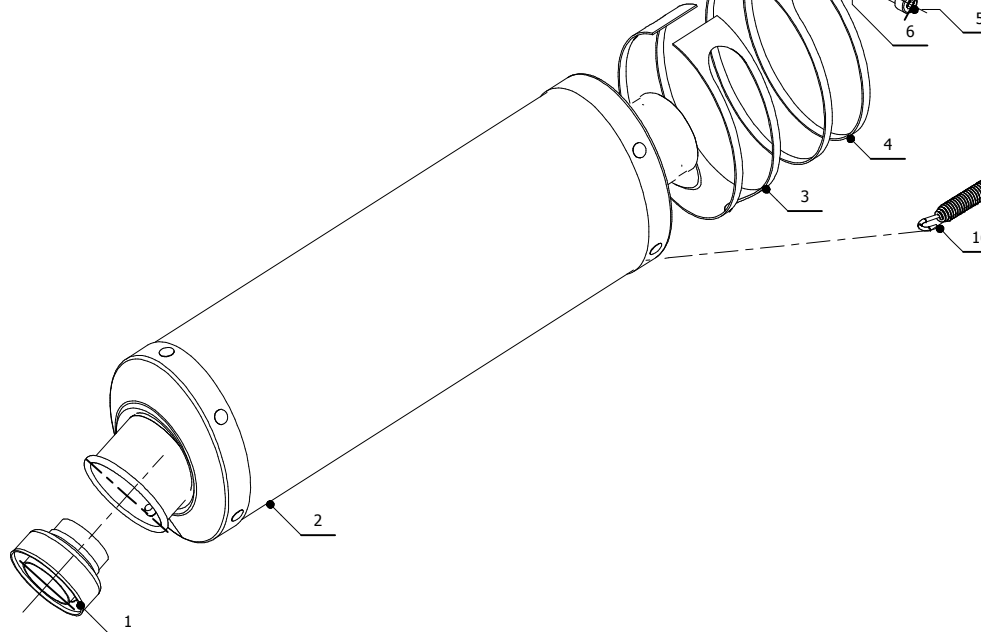
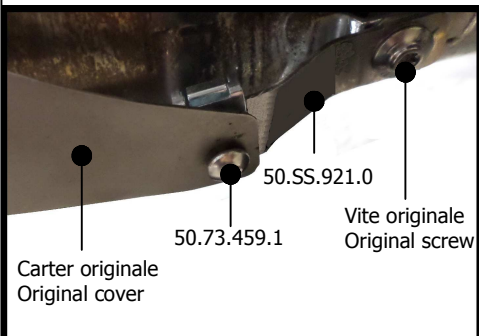
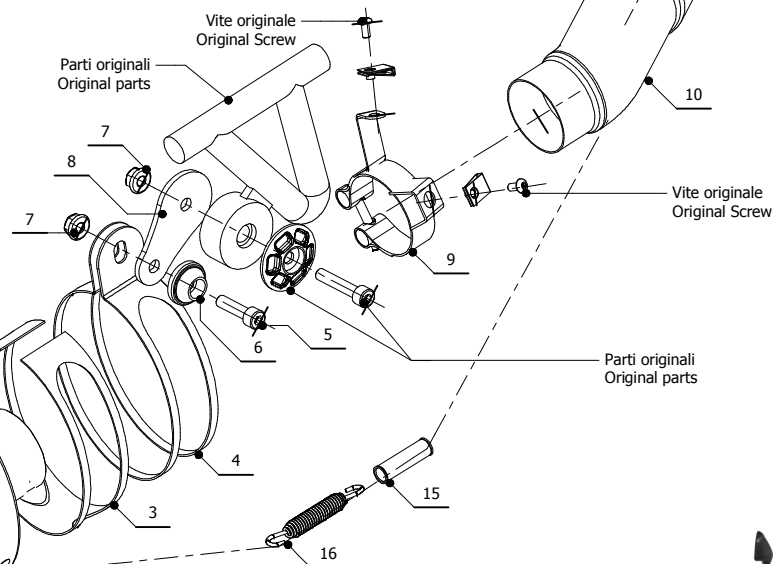
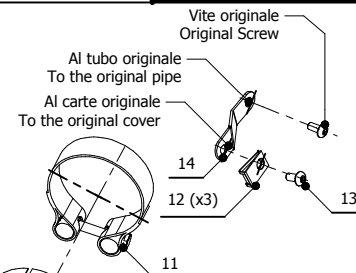


ELENCO PARTI / PARTS LIST

#	QTÀ / QTY	DESCRIZIONE / DESCRIPTION	CODICE / CODE
1	1	DB killer / DB killer	50.DK.067.0
2	1	Silenziatore / Muffler	OVAL
3	1	Gomma per staffa / Rubber protection	50.73.041.1
4	1	Staffa / Bracket	50.SS.002.0
5	1	Vite M8x30 / Screw M8x30	50.73.219.1
6	1	Rondella alluminio / Aluminium washer	50.73.291.1
7	2	Dado M8 flangiato / Flanged nut M8	50.73.393.1
8	1	Staffa / Bracket	50.SS.920.0
9	1	Fascetta / Pipe clamp	50.73.779.0
10	1	Tubo di raccordo / Link pipe	9773B026SE
11	1	Fascetta Ø 64/67 mm / Pipe clamp Ø 64/67 mm	50.FA.011.1
12	3	Dado rapido M5 / M5 Cage nut	50.73.674.1
13	1	Vite M5 x 8 / Screw M5 x 8	50.73.459.1
14	1	Staffa / Bracket	50.SS.921.0
15	1	Tubo in gomma per molla / Rubber pipe for spring	50.73.049.0
16	1	Molla media / Middle spring	50.73.359.1



OPTIONAL PARTS
B.026.C1 - NO KAT PIPE



APPLICAZIONI / APPLICATIONS

CODICE / CODE	TUBO / PIPE	SILENZIATORE / MUFFLER	FASCETTA / CLAMP
74.B.026.LX2	INOX / ST. STEEL	INOX / ST. STEEL	INOX / ST. STEEL